

BS EN ISO 20345:2011

Licensed Copy: The Open University Library, The Open University Library, 09/03/2012 16:16, Uncontrolled Copy, (c) The British Standards Institution 2012



BSI Standards Publication

Personal protective equipment — Safety footwear (ISO 20345:2011)

NO COPYING WITHOUT BSI PERMISSION EXCEPT AS PERMITTED BY COPYRIGHT LAW

raising standards worldwide™



National foreword

This British Standard is the UK implementation of EN ISO 20345:2011. It supersedes BS EN ISO 20345:2004 which is withdrawn.

The UK participation in its preparation was entrusted to Technical Committee PH/1, Safety, protective and occupational footwear.

A list of organizations represented on this committee can be obtained on request to its secretary.

This publication does not purport to include all the necessary provisions of a contract. Users are responsible for its correct application.

© The British Standards Institution 2012

ISBN 978 0 580 67093 0

ICS 13.340.50

Compliance with a British Standard cannot confer immunity from legal obligations.

This British Standard was published under the authority of the Standards Policy and Strategy Committee on 31 January 2012.

Amendments issued since publication

Date	Text affected
------	---------------

EUROPEAN STANDARD

EN ISO 20345

NORME EUROPÉENNE

EUROPÄISCHE NORM

December 2011

ICS 13.340.50

Supersedes EN ISO 20345:2004

English Version

Personal protective equipment - Safety footwear (ISO 20345:2011)

Équipement de protection individuelle - Chaussures de sécurité (ISO 20345:2011)

Persönliche Schutzausrüstung - Sicherheitsschuhe (ISO 20345:2011)

This European Standard was approved by CEN on 14 December 2011.

CEN members are bound to comply with the CEN/CENELEC Internal Regulations which stipulate the conditions for giving this European Standard the status of a national standard without any alteration. Up-to-date lists and bibliographical references concerning such national standards may be obtained on application to the CEN-CENELEC Management Centre or to any CEN member.

This European Standard exists in three official versions (English, French, German). A version in any other language made by translation under the responsibility of a CEN member into its own language and notified to the CEN-CENELEC Management Centre has the same status as the official versions.

CEN members are the national standards bodies of Austria, Belgium, Bulgaria, Croatia, Cyprus, Czech Republic, Denmark, Estonia, Finland, France, Germany, Greece, Hungary, Iceland, Ireland, Italy, Latvia, Lithuania, Luxembourg, Malta, Netherlands, Norway, Poland, Portugal, Romania, Slovakia, Slovenia, Spain, Sweden, Switzerland and United Kingdom.



EUROPEAN COMMITTEE FOR STANDARDIZATION
COMITÉ EUROPÉEN DE NORMALISATION
EUROPÄISCHES KOMITEE FÜR NORMUNG

Management Centre: Avenue Marnix 17, B-1000 Brussels

Foreword

This document (EN ISO 20345:2011) has been prepared by Technical Committee CEN/TC 161 "Foot and leg protectors", the secretariat of which is held by BSI, in collaboration with Technical Committee ISO/TC 94 "Personal safety - Protective clothing and equipment".

This European Standard shall be given the status of a national standard, either by publication of an identical text or by endorsement, at the latest by June 2012, and conflicting national standards shall be withdrawn at the latest by June 2012.

Attention is drawn to the possibility that some of the elements of this document may be the subject of patent rights. CEN [and/or CENELEC] shall not be held responsible for identifying any or all such patent rights.

This document supersedes EN ISO 20345:2004.

This document has been prepared under a mandate given to CEN by the European Commission and the European Free Trade Association, and supports essential requirements of EU Directive.

For relationship with EU Directive, see informative Annex ZA, which is an integral part of this document.

According to the CEN/CENELEC Internal Regulations, the national standards organizations of the following countries are bound to implement this European Standard: Austria, Belgium, Bulgaria, Croatia, Cyprus, Czech Republic, Denmark, Estonia, Finland, France, Germany, Greece, Hungary, Iceland, Ireland, Italy, Latvia, Lithuania, Luxembourg, Malta, Netherlands, Norway, Poland, Portugal, Romania, Slovakia, Slovenia, Spain, Sweden, Switzerland and the United Kingdom.

Annex ZA (informative)

Relationship between this European Standard and the Essential Requirements of EU Directive 89/686/EEC Personal Protective Equipment

This European Standard has been prepared under a mandate given to CEN by the European Commission and the European Free Trade Association to provide a means of conforming to Essential Requirements of the New Approach Directive 89/686/EEC Personal Protective Equipment.

Once this standard is cited in the Official Journal of the European Union under that Directive and has been implemented as a national standard in at least one Member State, compliance with the normative clauses of this standard given in Table ZA.1 confers, within the limits of the scope of this standard, a presumption of conformity with the corresponding Essential Requirements of that Directive and associated EFTA regulations.

Table ZA.1 — Clauses of this European Standard addressing Essential Requirements or other provisions of EU Directives

Clauses of this European Standard	Essential requirements (ERs) of EU Directive 89/686/EEC Annex II
	1. General requirements applicable to all PPE
5.3.4	1.1.1 Ergonomics
5.3.4	1.1.2.1 Highest level of protection possible
	1.2 Innocuousness of PPE
5.3.2.2; 5.4.8; 5.8.5; 6.2.1.2; 6.2.1.3; 6.2.5; 6.3.1	1.2.1 Absence of risks and other inherent nuisance factors
5.4.7; 5.4.9; 5.5.4; 5.5.5; 5.6.2; 5.6.3; 5.7.2; 5.7.5	1.2.1.1 Suitable constituent materials
5.3.4	1.2.1.2 Satisfactory surface condition of all PPE parts in contact with the user
5.3.4	1.2.1.3 Maximum user impediment
	1.3 Comfort and efficiency
5.3.1.2; 5.3.2.5.1; 5.3.2.5.2; 5.4.3; 5.4.4; 5.4.5; 5.5.1; 5.5.2; 5.6.1; 5.7.4; 5.8.2; 5.8.3; 5.8.4; 5.8.6; 6.2.1.4; 6.2.1.5.1; 6.4.1; 6.4.2	1.3.2 Lightness and design strength
8	1.4 Information supplied by the manufacturer
5.4.6; 5.5.3	2.2 PPE enclosing the parts of the body to be protected
6.2.2.1; 6.2.2.2	2.6 PPE for use in explosive atmospheres
6.1; 7	2.12 PPE bearing one or more identification or recognition marks directly indirectly or relating to health and safety
	3.1 Protection against mechanical impact
5.3.2.3; 6.2.4; 6.2.6; 6.2.7	3.1.1 Impact caused by falling objects and collision of parts of the body with an obstacle

Table ZA.1 (continued)

Clauses of this European Standard	Essential requirements (ERs) of EU Directive 89/686/EEC Annex II	
5.3.5	3.1.2	Prevention of falls due to slipping
5.3.2.4	3.2	Protection against (static) compression of part of the body
6.2.1.1; 6.2.1.5.2; 6.2.8	3.3	Protection against physical injury (abrasion, perforation, cuts, bites)
6.2.3.1	3.6	Protection against heat and/or fire
6.2.3.2	3.7	Protection against cold
6.2.2.3	3.8	Protection against electric shock

WARNING — Other requirements and other EU Directives may be applicable to the product(s) falling within the scope of this standard.

Contents

Page

Foreword	iv
1 Scope	1
2 Normative references	1
3 Terms and definitions	1
4 Classification and designs	6
5 Basic requirements for safety footwear	8
5.1 General	8
5.2 Design	10
5.3 Whole footwear	11
5.4 Upper	14
5.5 Vamp and quarter lining	16
5.6 Tongue	17
5.7 Insole and insock	17
5.8 Outsole	18
6 Additional requirements for safety footwear	19
6.1 General	19
6.2 Whole footwear	20
6.3 Upper — Water penetration and absorption	24
6.4 Outsole	24
7 Marking	24
8 Information to be supplied	25
8.1 General	25
8.2 Electrical properties	26
8.3 Insocks	27
Annex A (normative) Hybrid footwear	28
Bibliography	30

Foreword

ISO (the International Organization for Standardization) is a worldwide federation of national standards bodies (ISO member bodies). The work of preparing International Standards is normally carried out through ISO technical committees. Each member body interested in a subject for which a technical committee has been established has the right to be represented on that committee. International organizations, governmental and non-governmental, in liaison with ISO, also take part in the work. ISO collaborates closely with the International Electrotechnical Commission (IEC) on all matters of electrotechnical standardization.

International Standards are drafted in accordance with the rules given in the ISO/IEC Directives, Part 2.

The main task of technical committees is to prepare International Standards. Draft International Standards adopted by the technical committees are circulated to the member bodies for voting. Publication as an International Standard requires approval by at least 75 % of the member bodies casting a vote.

Attention is drawn to the possibility that some of the elements of this document may be the subject of patent rights. ISO shall not be held responsible for identifying any or all such patent rights.

ISO 20345 was prepared by the European Committee for Standardization (CEN) Technical Committee CEN/TC 161, *Foot and leg protectors*, in collaboration with Technical Committee ISO/TC 94, *Personal safety — Protective clothing and equipment*, Subcommittee SC 3, *Foot protection*, in accordance with the Agreement on technical cooperation between ISO and CEN (Vienna Agreement).

This second edition cancels and replaces the first edition (ISO 20345:2004), which has been technically revised. It also incorporates the Amendment ISO 20345:2004/Amd. 1:2007 and the Technical Corrigenda ISO 20345:2004/Cor.1:2005 and ISO 20345:2004/Cor.2:2006.

Personal protective equipment — Safety footwear

1 Scope

This International Standard specifies basic and additional (optional) requirements for safety footwear used for general purpose. It includes, for example, mechanical risks, slip resistance, thermal risks, ergonomic behaviour.

Special risks are covered by complementary job-related standards (e.g. footwear for firefighters, electrical insulating footwear, protection against chain saw injuries, protection against chemicals and molten metal splash, protection for motor cycle riders).

2 Normative references

The following referenced documents are indispensable for the application of this document. For dated references, only the edition cited applies. For undated references, the latest edition of the referenced document (including any amendments) applies.

ISO 17075, *Leather — Chemical tests — Determination of chromium(VI) content*

ISO 20344:2011, *Personal protective equipment — Test methods for footwear*

EN 12568:2010, *Foot and leg protectors — Requirements and test methods for toecaps and penetration resistant inserts*

EN 50321, *Electrically insulating footwear for working on low voltage installations*

3 Terms and definitions

For the purposes of this document, the following terms and definitions apply.

NOTE The component parts of footwear are illustrated in Figures 1 and 2.

3.1

safety footwear

footwear incorporating protective features to protect the wearer from injuries that could arise through accidents

NOTE Items of safety footwear are fitted with toecaps designed to give protection against impact when tested at an energy level of at least 200 J and against compression when tested at a compression load of at least 15 kN.

3.2

leather

hide or skin tanned to be imputrescible

3.2.1

leather split

flesh or middle part of a hide or skin, obtained by splitting a thick leather, which is tanned to be imputrescible

3.3

rubber

vulcanized elastomers

3.4

polymeric materials

large molecules composed of repeating structural units (monomers) typically connected by chemical bond

EXAMPLE Polyurethane (PU) or polyvinylchloride (PVC).

3.5

insole

non-removable component used to form the base of the shoe to which the upper is usually attached during lasting

3.6

insock

removable or non-removable footwear component used to cover part or all of the insole

NOTE "Non-removable" means that the insock cannot be removed without being damaged.

3.7

lining

material covering the inner surface of the upper

NOTE 1 The wearer's foot is in direct contact with the lining.

NOTE 2 Where an upper is split at the forepart to house the toecap, or if an external piece of material is stitched to the upper to form a pocket to house the toecap, the material under the toecap acts as a lining.

3.7.1

vamp lining

material covering the inner surface of the forepart of the upper

3.7.2

quarter lining

material covering the inner surface of the quarters of the upper

3.8

cleat

protruding part of the outer surface of the sole

3.9

rigid outsole

sole which cannot be bent through an angle of 45° under a load of 30 N

NOTE Testing is performed in accordance with ISO 20344:2011, 8.4.1.

3.10

cellular outsole

outsole which has a density of 0,9 g/ml or less with a cell structure that is visible under 10× magnification

3.11

penetration-resistant insert

footwear component placed in the sole complex in order to provide protection against penetration

3.12

safety toecap

built-in footwear component designed to protect the toes of the wearer from impacts of an energy level of at least 200 J and compression at a load of at least 15 kN

3.13

seat region

counter area

rear 10 % of the total length of the footwear (upper and sole)

3.14

conductive footwear

footwear, the resistance of which is in the range of 0 k Ω to 100 k Ω

NOTE Resistance is measured in accordance with ISO 20344:2011, 5.10.

3.15

antistatic footwear

footwear, the resistance of which is above 100 k Ω and less than or equal to 1 000 M Ω

NOTE Resistance is measured in accordance with ISO 20344:2011, 5.10.

3.16

electrically insulating footwear

footwear which protects the wearer against electrical shocks by preventing the passage of dangerous current through the body via the feet

3.17

fuel oil

aliphatic hydrocarbon constituent of petroleum

3.18

specific job-related footwear

safety or occupational footwear relating to a specific profession

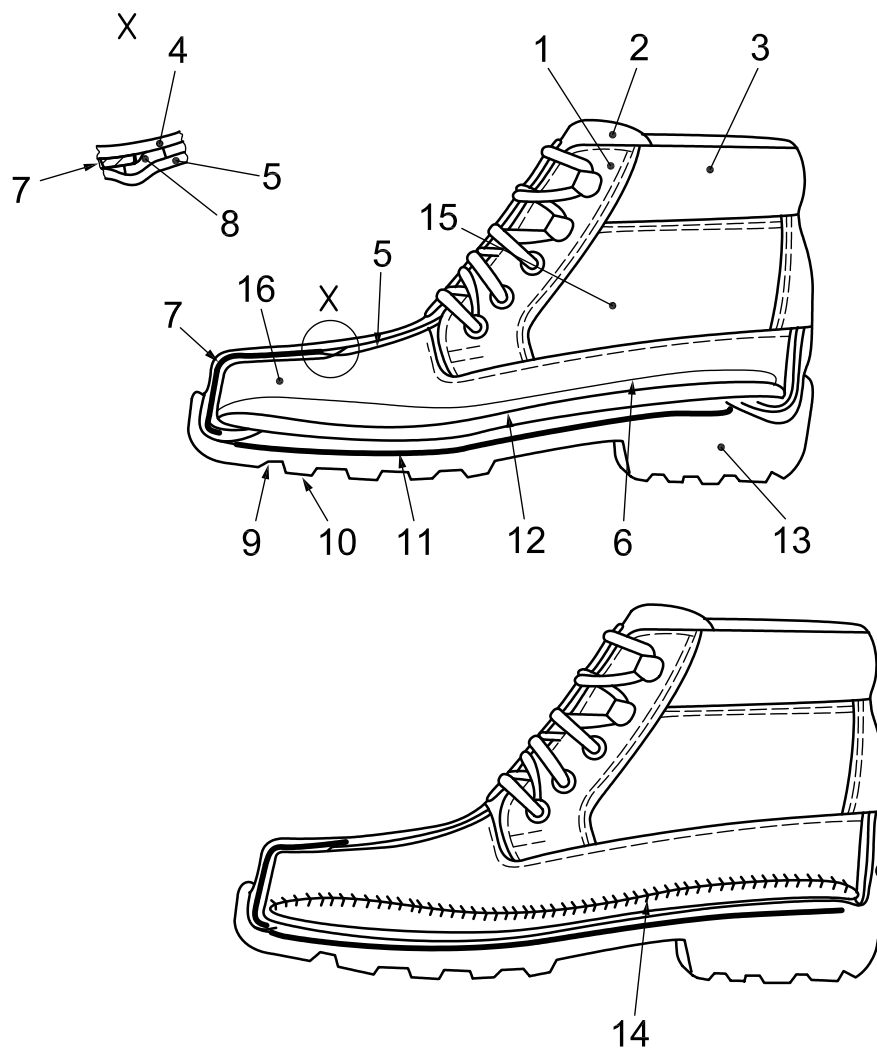
EXAMPLE Footwear for firefighters; footwear with resistance to chain saw cutting.

3.19

hybrid footwear

class II footwear incorporating another material which extends the upper

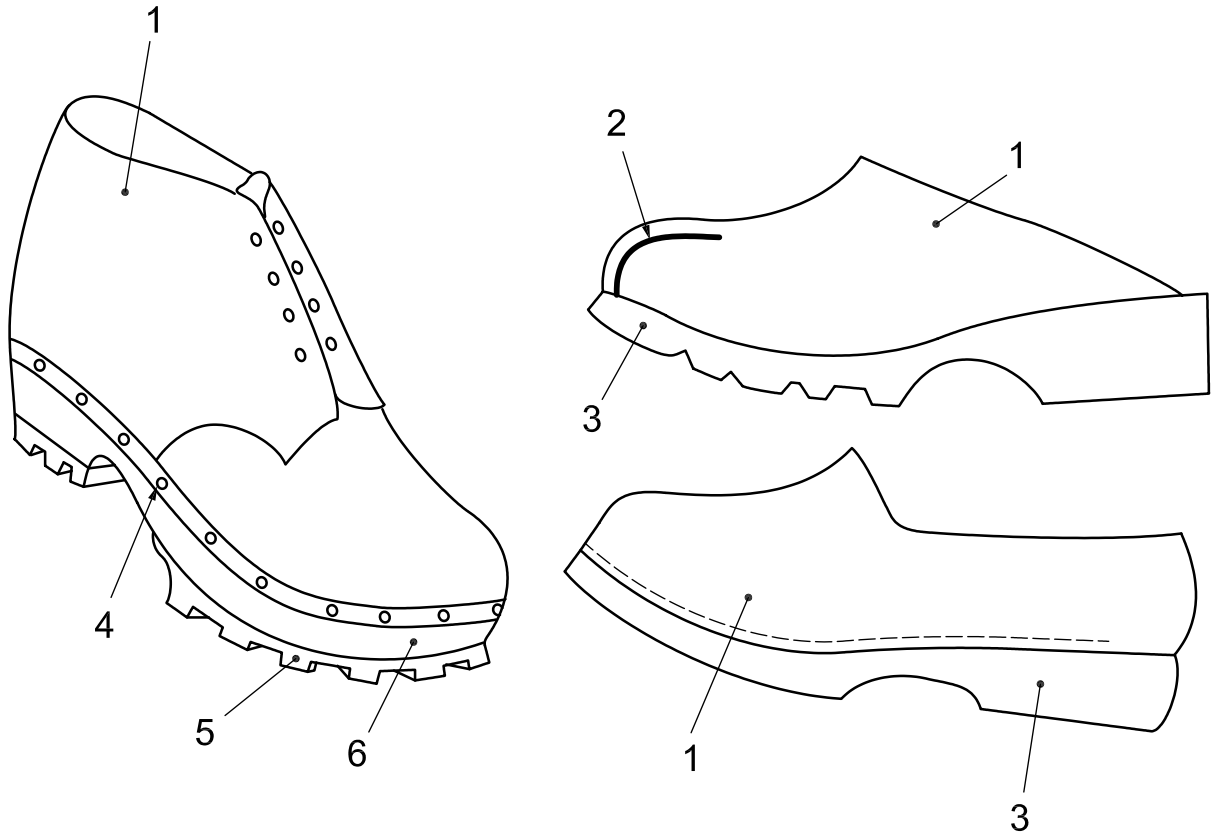
NOTE See Figure A.1.



- Key**
- 1 facing
 - 2 tongue
 - 3 collar
 - 4 upper
 - 5 vamp lining
 - 6 insock
 - 7 toecap
 - 8 edge covering, e.g. foam strip
 - 9 outsole
 - 10 cleat
 - 11 penetration-resistant insert
 - 12 insole
 - 13 heel
 - 14 Strobil stitching
 - 15 quarter
 - 16 vamp

a) Example of parts of footwear of Strobil construction

Figure 1 (continued)

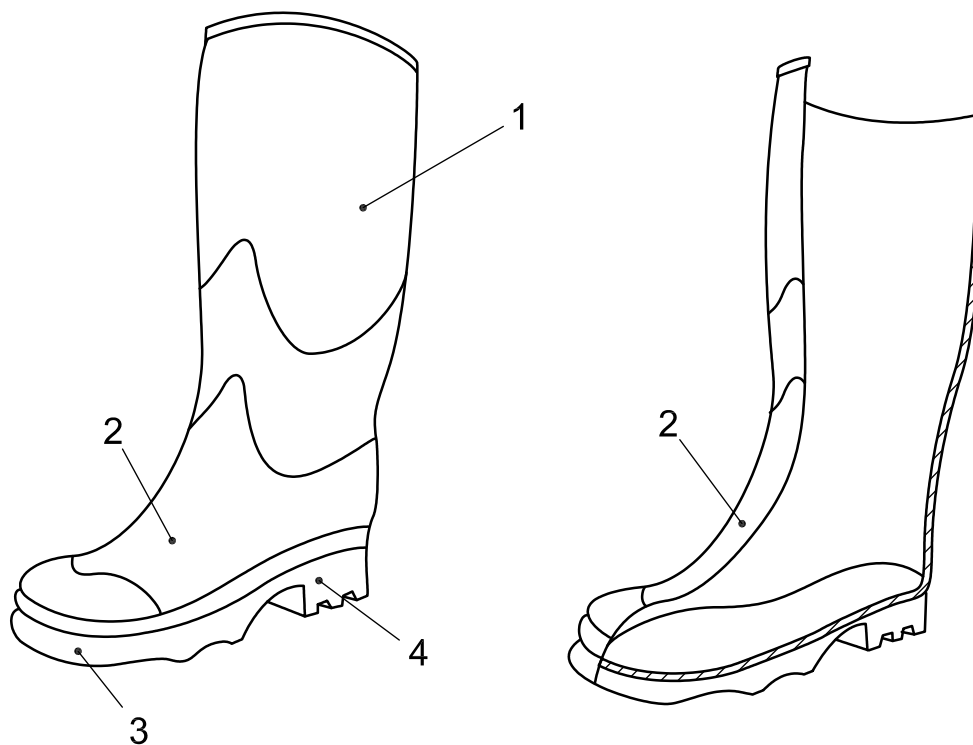


Key

- 1 upper
- 2 toecap
- 3 rigid sole
- 4 reinforcing welt with nails
- 5 outsole
- 6 wooden sole

b) Example of other footwear

Figure 1 — Types of footwear



Key

- 1 upper
- 2 vamp
- 3 outsole
- 4 heel

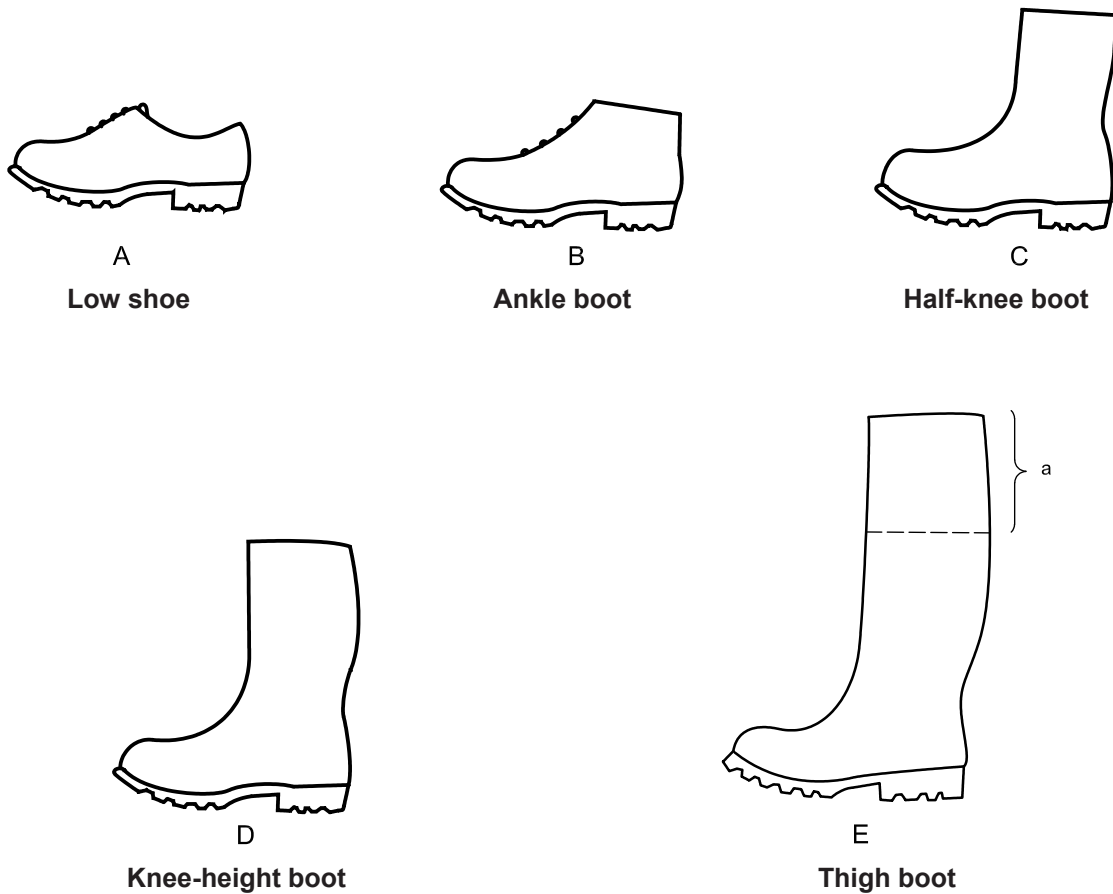
Figure 2 — Example of all-rubber (i.e. vulcanized) or all-polymeric (i.e. entirely moulded) footwear

4 Classification and designs

Footwear shall be classified in accordance with Table 1.

Table 1 — Classification of footwear

Classification	Description
Class I	Footwear made from leather and other materials, excluding all-rubber or all-polymeric footwear
Class II	All-rubber (i.e. entirely vulcanized) or all-polymeric (i.e. entirely moulded) footwear



^a Variable extension which can be adapted to the wearer.

NOTE Design E can be a knee-height boot (design D) equipped with a thin impermeable material which extends the upper and which can be cut to adapt the boot to the wearer.

Figure 3 — Designs of footwear

Class II footwear can be equipped with another material which extends the upper. The requirements for this footwear are given in Annex A.

5 Basic requirements for safety footwear

5.1 General

Safety footwear shall conform to the basic requirements given in Table 2.

Table 2 — Basic requirements for safety footwear

Requirement		Subclause	Classification	
			I	II
Design	Height of upper	5.2.2	X	X
	Seat region (design B, C, D, E)	5.2.3	X	X
Whole footwear	Sole performance:	5.3.1		
	— Construction	5.3.1.1	X	
	— Upper/outsole bond strength	5.3.1.2	X	
	Toe protection:	5.3.2		
	— General	5.3.2.1	X	X
	— Internal length of toecaps	5.3.2.2	X	X
	— Impact resistance	5.3.2.3	X	X
	— Compression resistance	5.3.2.4	X	X
	— Behaviour of toecaps	5.3.2.5	X	X
	Leakproofness	5.3.3		X
	Specific ergonomic features	5.3.4	X	X
	Slip resistance:	5.3.5	X	X
	— Slip resistance on ceramic tile floor with NaLS ^a	5.3.5.2		
	— Slip resistance on steel floor with glycerine ^b	5.3.5.3		
— Slip resistance on ceramic tile floor with NaLS and on steel floor with glycerine ^c	5.3.5.4			
Upper	General	5.4.1	X	
	Thickness	5.4.2		X
	Tear strength	5.4.3	X	
	Tensile properties	5.4.4	X	X
	Flexing resistance	5.4.5		X
	Water vapour permeability and coefficient	5.4.6	X	
	pH value	5.4.7	X	
	Hydrolysis	5.4.8		X
	Chromium VI content	5.4.9	X	
Vamp lining	Tear strength	5.5.1	X	O
	Abrasion resistance	5.5.2	X	O
	Water vapour permeability and coefficient	5.5.3	X	
	pH value	5.5.4	X	O
	Chromium VI content	5.5.5	X	O

Table 2 (continued)

Requirement		Subclause	Classification	
			I	II
Quarter lining	Tear strength	5.5.1	O	O
	Abrasion resistance	5.5.2	O	O
	Water vapour permeability and coefficient	5.5.3	O	
	pH value	5.5.4	O	O
	Chromium VI content	5.5.5	O	O
Insole/insock		See Table 3	X	O
Tongue	Tear strength	5.6.1	O	
	pH value	5.6.2	O	
	Chromium VI content	5.6.3	O	
Outsole	Design	5.8.1	X	X
	Tear strength	5.8.2	X	X
	Abrasion resistance	5.8.3	X	X
	Flexing resistance	5.8.4	X	X
	Hydrolysis	5.8.5	X	X
	Interlayer bond strength	5.8.6	O	O
<p>NOTE 1 The applicability of a requirement to a particular classification is indicated by X or O. X means the requirement shall be met. In some cases the requirement relates only to particular materials within the classification, e.g. pH value of leather components. This does not mean that other materials are precluded from use. O means that if the component part exists, the requirement shall be met. The absence of X or O indicates that there is no requirement.</p> <p>NOTE 2 For class II footwear, it is usual to have no insole present. However, if a removable insock is used, Table 3 is not applicable; only chromium VI and pH requirements are fulfilled for leather material.</p> <p>NOTE 3 Stockings covering the last before the moulding process are not considered a lining.</p>				
<p>^a One of the three slip resistance requirements shall be met.</p> <p>^a Marking symbol "SRA".</p> <p>^b Marking symbol "SRB".</p> <p>^c Marking symbol "SRC".</p>				

Table 3 — Basic requirements for insoles and/or insocks

Options		Component to be assessed	Requirements to fulfil					
			Thickness 5.7.1	pH ^a 5.7.2	Water absorption/desorption 5.7.3	Insole abrasion 5.7.4.1	Chromium VI ^a 5.7.5	Insock abrasion 5.7.4.2
No insole or, if present, not fulfilling the requirements	Non-removable insock	Insock	X	X	X		X	X
	No insole	Insole	X	X	X	X	X	
Insole present	Seat sock present							
	Full insock, non-removable	Insock and insole together	X		X			
		Insock		X			X	X
	Full insock, removable and water permeable ^b	Insole	X	X	X	X	X	
		Insock		X			X	X
	Full insock, removable, not water permeable ^b	Insole	X	X	X	X	X	
Insock			X	X		X	X	

NOTE 1 X denotes that the requirement shall be met.
NOTE 2 For removable insocks, see 8.3.

^a Applies only to leather.
^b A water-permeable insock is one that, when tested in accordance with ISO 20344:2011, 7.2, lets water through in 60 s or less.

5.2 Design

5.2.1 General

Footwear shall conform to one of the designs given in Figure 3.

5.2.2 Height of upper

The height of the upper, when measured in accordance with ISO 20344:2011, 6.2, shall be as given in Table 4.

Table 4 — Height of upper

Size of footwear		Height			
France	UK	Design A mm	Design B min. mm	Design C min. mm	Design D and E min. mm
36 and below	up to 31/2	<103	103	162	255
37 and 38	4 to 5	<105	105	165	260
39 and 40	5 1/2 to 6 1/2	<109	109	172	270
41 and 42	7 to 8	<113	113	178	280
43 and 44	8 1/2 to 10	<117	117	185	290
45 and above	10 1/2 and above	<121	121	192	300

5.2.3 Seat region

The seat region shall be closed. In this area of the upper, below the minimum height given for design A in Table 10, there shall be no holes other than to form seams.

5.3 Whole footwear

5.3.1 Sole performance

5.3.1.1 Construction

When an insole is used, it shall not be possible to remove it without damaging the footwear. If there is no insole, a permanently attached insock shall be present.

5.3.1.2 Upper/outsole bond strength

When footwear other than with a stitched sole is tested in accordance with the method described in ISO 20344:2011, 5.2, the bond strength shall be not less than 4,0 N/mm, unless there is tearing of the sole, in which case the bond strength shall be not less than 3,0 N/mm.

5.3.2 Toe protection

5.3.2.1 General

Toecaps shall be incorporated in the footwear in such a manner that they cannot be removed without damaging the footwear.

With the exception of all-rubber and all-polymeric footwear, footwear fitted with internal toecaps shall have a vamp lining or an element of the upper that serves as a lining. In addition, the toecaps shall have an edge covering extending from the back edge of the toecap to at least 5 mm beneath it and at least 10 mm in the opposite direction.

Toecaps shall fulfil the requirements given in EN 12568:2010, 4.2.2.2.

Scuff-resistant coverings for the toe region shall be not less than 1 mm in thickness.

5.3.2.2 Internal length of toecaps

When measured in accordance with the method described in ISO 20344:2011, 5.3, the internal toecap length shall be in accordance with Table 5.

Table 5 — Minimum internal length of toecaps

Size of footwear		Minimum internal length mm
France	UK	
36 and below	Up to 31/2	34
37 and 38	4 to 5	36
39 and 40	51/2 to 61/2	38
41 and 42	7 to 8	39
43 and 44	81/2 to 10	40
45 and above	101/2 and above	42

5.3.2.3 Impact resistance of safety footwear

When safety footwear is tested in accordance with the method described in ISO 20344:2011, 5.4, at an impact energy of (200 ± 4) J, the clearance under the toecap at the moment of impact shall be in accordance with Table 6. In addition, the toecap shall not develop any cracks which go through the material, i.e. through which light can be seen.

Table 6 — Minimum clearance under toecaps at impact

Size of footwear		Minimum clearance mm
France	UK	
36 and below	Up to 31/2	12,5
37 and 38	4 to 5	13,0
39 and 40	5 1/2 to 6 1/2	13,5
41 and 42	7 to 8	14,0
43 and 44	8 1/2 to 10	14,5
45 and above	10 1/2 and above	15,0

5.3.2.4 Compression resistance of safety footwear

When safety footwear is tested in accordance with ISO 20344:2011, 5.5, the clearance under the toecap at a compression load of $15 \text{ kN} \pm 0,1 \text{ kN}$ shall be in accordance with Table 6.

5.3.2.5 Behaviour of toecaps

5.3.2.5.1 Corrosion resistance of metallic toecaps

When class II footwear is tested and assessed in accordance with ISO 20344:2011, 5.6.2, the metallic toecap shall exhibit no more than three areas of corrosion, none of which shall measure more than 2 mm in any direction.

When metallic toecaps are used in class I footwear, they shall be tested and assessed in accordance with ISO 20344:2011, 5.6.2, and they shall exhibit not more than three areas of corrosion, none of which shall measure more than 2 mm in any direction.

5.3.2.5.2 Non-metallic toecaps

Non-metallic toecaps used in safety footwear shall conform to the requirements of EN 12568.

5.3.3 Leakproofness

When tested in accordance with ISO 20344:2011, 5.7, there shall be no leakage of air.

For class II footwear without a closed seat region, the requirement is not applicable.

5.3.4 Specific ergonomic features

The footwear shall be considered to satisfy the ergonomic requirements if the questionnaire given in ISO 20344:2011, 5.1 is completed and all answers are positive.

If the footwear is rigid in accordance with ISO 20344:2011, 8.4.1, then question 4.3 of Table 2 in ISO 20344:2011 is not applicable.

5.3.5 Slip resistance requirement

5.3.5.1 General

When tested in accordance with ISO 20344:2011, 5.11, safety footwear shall conform to 5.3.5.2, 5.3.5.3 or 5.3.5.4.

The requirements are applicable to conventionally soled footwear. They are not applicable to special- purpose footwear containing spikes, metal studs or similar, nor to special-purpose safety footwear to be used on soft ground (sand, sludge, etc.).

5.3.5.2 Slip resistance on ceramic tile floor with sodium lauryl sulphate (NaLS) solution

Footwear resistant to slip on a ceramic tile floor with NaLS shall fulfil the requirements of Table 7.

Table 7 — Requirements for footwear resistant to slip on ceramic tile floor with NaLS

Test conditions of ISO 20344:2011, 5.11.1	Coefficient of friction
Condition A (forward heel slip)	$\geq 0,28$
Condition B (forward flat slip)	$\geq 0,32$

5.3.5.3 Slip resistance on steel floor with glycerine

Footwear resistant to slip on a steel floor with glycerine shall fulfil the requirements of Table 8.

Table 8 — Requirements for footwear resistant to slip on steel floor with glycerine

Test conditions of ISO 20344:2011, 5.11.1	Coefficient of friction
Condition C (forward heel slip)	$\geq 0,13$
Condition D (forward flat slip)	$\geq 0,18$

5.3.5.4 Slip resistance on ceramic tile floor with NaLS and on steel floor with glycerine

Footwear resistant to slip on a ceramic tile floor with NaLS and on a steel floor with glycerine shall fulfil the requirements of Table 9.

Table 9 — Requirements for footwear resistant to slip on ceramic tile floor with NaLS and on steel floor with glycerine

Test conditions of ISO 20344:2011, 5.11.1	Coefficient of friction
Condition A (forward heel slip)	$\geq 0,28$
Condition B (forward flat slip)	$\geq 0,32$
Condition C (forward heel slip)	$\geq 0,13$
Condition D (forward flat slip)	$\geq 0,18$

5.3.6 Innocuousness

Safety footwear shall not adversely affect the health or hygiene of the user. Safety footwear shall be made of materials such as textiles, leather, rubbers or plastics that have been shown to be chemically suitable. The materials shall not, in the foreseeable conditions of normal use, release or degrade to release substances generally known to be toxic, carcinogenic, mutagenic, allergenic, toxic to reproduction or otherwise harmful. Information claiming that the product is innocuous shall be checked.

NOTE Information about critical substances in footwear and footwear components can be found in 2.6.1 and Table 1 of ISO/TR 16178:2010.

5.4 Upper

5.4.1 General

The area which shall fulfil the requirements given in this subclause shall have a minimum height in accordance with Table 10, when measured from the horizontal surface beneath the sole.

Table 10 — Minimum heights, below which the requirements for the upper shall be fulfilled

Size of footwear		Design minimum heights mm			
France	UK	A	B	C	D and E
36 and below	Up to 31/2	44	64	113	172
37 and 38	4 to 5	46	66	115	175
39 and 40	51/2 to 61/2	48	68	119	182
41 and 42	7 to 8	50	70	123	188
43 and 44	81/2 to 10	52	72	127	195
45 and above	101/2 and above	53	73	131	202

When collar and insert materials are present above the heights given in Table 10, such materials shall meet the tear strength (see 5.5.1) and abrasion resistance (see 5.5.2) requirements for lining. In the case of leather materials, they shall also meet the requirements for pH value (see 5.4.7) and for chromium VI content (see 5.4.9). Materials above the heights given in Table 10 that are not collar and insert shall fulfil the requirements for the upper.

5.4.2 Thickness

When determined in accordance with ISO 20344:2011, 6.1, the thickness of the upper of class II footwear at any point shall be in accordance with Table 11.

Table 11 — Minimum thickness of upper

Type of material	Minimum thickness mm
Rubber	1,50
Polymeric	1,00

5.4.3 Tear strength

When determined in accordance with ISO 20344:2011, 6.3, the tear strength of the upper of class I footwear shall be in accordance with Table 12.

Table 12 — Minimum tear strength of upper

Type of material	Minimum force N
Leather	120
Coated fabric and textile	60

5.4.4 Tensile properties

When determined in accordance with ISO 20344:2011, 6.4.1, the tensile properties shall be in accordance with Table 13.

Table 13 — Tensile properties

Type of material	Tensile strength N/mm	Breaking force N	Modulus at 100 % elongation N/mm ²	Elongation at break %
Leather split	≥15	—	—	—
Rubber	—	≥180	—	—
Polymeric	—	—	1,3 to 4,6	≥250

5.4.5 Flexing resistance

When tested in accordance with ISO 20344:2011, 6.5, the flexing resistance shall be in accordance with Table 14.

Table 14 — Flexing resistance

Type of material	Flexing resistance
Rubber	No cracking before 125 000 flex cycles
Polymeric	No cracking before 150 000 flex cycles

5.4.6 Water vapour permeability and coefficient

When tested in accordance with 6.6 and 6.8 of ISO 20344:2011, the water vapour permeability shall be not less than 0,8 mg/(cm²·h) and the water vapour coefficient shall be not less than 15 mg/cm².

5.4.7 pH value

When leather uppers are tested in accordance with ISO 20344:2011, 6.9, the pH value shall be not less than 3,2. If the pH value is below 4, the difference figure shall be less than 0,7.

5.4.8 Hydrolysis

When polyurethane uppers are tested in accordance with ISO 20344:2011, 6.10, no cracking shall occur before 150 000 flex cycles.

5.4.9 Chromium VI content

When determined in accordance with the test method described in ISO 17075, the quantity of chromium VI in footwear containing leather shall not exceed 3,0 mg/kg.

5.5 Vamp and quarter lining

5.5.1 Tear strength

When determined in accordance with ISO 20344:2011, 6.3, the tear strength of the lining shall be in accordance with Table 15.

Table 15 — Minimum tear strength of lining

Type of material	Minimum force N
Leather	30
Coated fabric and textiles	15

5.5.2 Abrasion resistance

When tested in accordance with ISO 20344:2011, 6.12, the lining shall not develop any holes before the following number of cycles has been performed.

- For vamp and quarter lining:
 - 25 600 cycles when dry;
 - 12 800 cycles when wet.
- For seat region lining:
 - 51 200 cycles when dry;
 - 25 600 cycles when wet.

5.5.3 Water vapour permeability and coefficient

When tested in accordance with 6.6 and 6.8 of ISO 20344:2011, the water vapour permeability shall be not less than 2,0 mg/(cm²·h) and the water vapour coefficient shall be not less than 20 mg/cm².

NOTE There is no requirement to test unlined stiffeners.

5.5.4 pH value

When leather linings are tested in accordance with ISO 20344:2011, 6.9, the pH value shall be not less than 3,2. If the pH value is below 4, the difference figure shall be less than 0,7.

5.5.5 Chromium VI content

When determined in accordance with the test method described in ISO 17075, the quantity of chromium VI in footwear containing leather shall not exceed 3,0 mg/kg.

5.6 Tongue

NOTE The tongue need only be tested if the material from which it is made or its thickness, or both, differs from that of the upper material.

5.6.1 Tear strength

When determined in accordance with ISO 20344:2011, 6.3, the tear strength of the tongue shall be in accordance with Table 16.

Table 16 — Minimum tear strength of tongue

Type of material	Minimum force N
Leather	36
Coated fabric and textiles	18

5.6.2 pH value

When leather tongues are tested in accordance with ISO 20344:2011, 6.9, the pH value shall be not less than 3,2. If the pH value is below 4, the difference figure shall be less than 0,7.

5.6.3 Chromium VI content

When determined in accordance with the test method described in ISO 17075, the quantity of chromium VI in footwear containing leather shall not exceed 3,0 mg/kg.

5.7 Insole and insock

5.7.1 Thickness

When determined in accordance with ISO 20344:2011, 7.1, the thickness of the insole and/or insock (see Table 3) shall be not less than 2,0 mm.

5.7.2 pH value

When leather insoles or leather insocks are tested in accordance with ISO 20344:2011, 6.9, the pH value shall be not less than 3,2. If the pH is below 4, the difference figure shall be less than 0,7.

5.7.3 Water absorption and desorption

When tested in accordance with ISO 20344:2011, 7.2, the water absorption shall be not less than 70 mg/cm² and the water desorption shall be not less than 80 % of the water absorbed.

5.7.4 Abrasion resistance

5.7.4.1 Insoles

When non-leather insoles are tested in accordance with ISO 20344:2011, 7.3, the abrasion damage shall not be more severe than that illustrated by the reference test pieces for the same family of materials before 400 cycles (see ISO 20344:2011, 7.3.6.).

5.7.4.2 Insocks

When insocks are tested in accordance with ISO 20344:2011, 6.12, the wearing surface shall not develop any holes before the following number of cycles has been performed:

- 25 600 cycles when dry;
- 12 800 cycles when wet.

5.7.5 Chromium VI content

When determined in accordance with the test method described in ISO 17075, the quantity of chromium VI in footwear containing leather shall not exceed 3,0 mg/kg.

5.8 Outsole

5.8.1 Design

The outsole may be either cleated or non-cleated.

Outsoles with a cleat height of less than 2,5 mm are regarded as uncleated.

5.8.1.1 Thickness

The outsole can be composed of several layers. When measured in accordance with ISO 20344:2011, 8.1.2, the sole thickness, d_1 and d_3 , shall fulfil the requirements in Table 17.

Table 17 — Requirements for outsole thickness and cleat height

Type of outsole	Class I	Class II
Non-cleated outsole	$d_1 \geq 6 \text{ mm}$	$d_1 \geq 6 \text{ mm}$
Cleated outsole	$d_1 \geq 4 \text{ mm}$ $d_2 \geq 2,5 \text{ mm}$	$d_1 \geq 3 \text{ mm}$ $d_2 \geq 4 \text{ mm}$ $d_3 \geq 6 \text{ mm}$

5.8.1.2 Cleated area

With the exception of the region under the flange of the toecap, at least the shaded area as shown in Figure 38 of ISO 20344:2011 shall have cleats which are open to the side.

5.8.1.3 Cleat height

When tested in accordance with ISO 20344:2011, 8.1, the cleat height, d_2 , is given in Table 17.

5.8.2 Tear strength

When non-leather outsoles are tested in accordance with ISO 20344:2011, 8.2, the tear strength shall be not less than:

- 8 kN/m for a material with a density higher than 0,9 g/cm³;
- 5 kN/m for a material with a density lower or equal to 0,9 g/cm³.

5.8.3 Abrasion resistance

When outsoles other than those from all-rubber or all-polymeric footwear are tested in accordance with ISO 20344:2011, 8.3, the relative volume loss shall be not greater than 250 mm³ for materials with a density of 0,9 g/cm³ or less, and not greater than 150 mm³ for materials with a density greater than 0,9 g/cm³.

When outsoles from all-rubber or all-polymeric footwear are tested as described in ISO 20344:2011, 8.3, the relative volume loss shall be not greater than 250 mm³.

5.8.4 Flexing resistance

When outsoles are tested in accordance with ISO 20344:2011, 8.4, the cut growth shall be not greater than 4 mm before 30 000 flex cycles.

Spontaneous cracks are acceptable in the following circumstances.

- a) Only the centre of the tread area shall be assessed for cracking, i.e. cracks under the toecap zone shall be ignored.
- b) Superficial cracks up to 0,5 mm deep shall be ignored.
- c) Soles shall be deemed to be satisfactory if cracks are no deeper than 1,5 mm, no longer than 4 mm and no more than five in number.

5.8.5 Hydrolysis

When polyurethane outsoles and soles with an outer layer composed of polyurethane are tested in accordance with ISO 20344:2011, 8.5, the cut growth shall be not greater than 6 mm before 150 000 flex cycles.

5.8.6 Interlayer bond strength

When tested in accordance with ISO 20344:2011, 5.2, the bond strength between the outer or cleated layer and the adjacent layer shall be not less than 4,0 N/mm unless there is tearing of any part of the sole, in which case the bond strength shall be not less than 3,0 N/mm.

6 Additional requirements for safety footwear

6.1 General

Additional requirements can be necessary for safety footwear depending upon risks to be encountered at the workplace. In such cases, safety footwear shall conform to the appropriate additional requirements and corresponding marking given in Table 18.

Table 18 — Additional requirements for special applications with appropriate symbols for marking

Requirement		Clause	Class		Symbol
			I	II	
Whole footwear	Penetration resistance	6.2.1	X	X	P
	Electrical properties:	6.2.2			
	— conductive footwear	6.2.2.1	X	X	C
	— antistatic footwear	6.2.2.2	X	X	A
	— electrically insulating footwear	6.2.2.3		X	See EN 50321
	Resistance to inimical environments:	6.2.3			
	— heat insulation of sole complex	6.2.3.1	X	X	HI
	— cold insulation of sole complex	6.2.3.2	X	X	CI
	Energy absorption of seat region	6.2.4	X	X	E
	Water resistance	6.2.5	X		WR
	Metatarsal protection	6.2.6	X	X	M
	Ankle protection	6.2.7	X	X	AN
	Cut resistance	6.2.8	X	X	CR
Upper	Water penetration and absorption	6.3	X		WRU
Outsole	Resistance to hot contact	6.4.1	X	X	HRO
	Resistance to fuel oil	6.4.2	X	X	FO

NOTE The applicability of a requirement to a particular classification is indicated in this table by an X.

6.2 Whole footwear

6.2.1 Penetration resistance

6.2.1.1 Determination of penetration force

6.2.1.1.1 Metallic anti-penetration insert

When footwear is tested in accordance with ISO 20344:2011, 5.8.2, the force required to penetrate the sole unit shall be not less than 1 100 N.

6.2.1.1.2 Non-metallic anti-penetration insert

When footwear is tested in accordance with ISO 20344:2011, 5.8.3, using a force of at least 1 100 N, the tip of the test nail shall not penetrate through the test piece. In order to achieve a “pass” result, the tip of the test nail shall not protrude from the test piece. This is to be checked by visual, cinematographic or electrical detection.

6.2.1.2 Construction

The penetration-resistant insert shall be built into the bottom of the shoe in such a manner that it cannot be removed without damaging the footwear. Except for non-metallic inserts that also function as an insole, the insert shall not lie above the flange of the safety toecap and shall not be attached to it.

6.2.1.3 Dimensions

The penetration-resistant insert dimensions shall be measured according to ISO 20344:2011, 5.8.1.

The penetration-resistant insert shall be of such a size that, with the exception of the heel region, the maximum distance between the line represented by the feather edge of the last and the edge of the insert (X) is 6,5 mm. In the heel region, the maximum distance between the line represented by the feather edge of the last and the insert (Y) shall be 17 mm (see Figure 14 of ISO 20344:2011).

The penetration-resistant insert shall have no more than three holes with a maximum diameter of 3 mm to attach it to the bottom of the footwear.

The holes shall not lie in the shaded area 1 (see Figure 14 of ISO 20344:2011).

Holes in the shaded area 2 shall be disregarded (see Figure 14 of ISO 20344:2011).

6.2.1.4 Flex resistance of penetration-resistant inserts

When penetration-resistant inserts in all types of footwear are tested in accordance with ISO 20344:2011, 5.9, they shall show no visible signs of cracking or delamination after being subjected to 1×10^6 flex cycles.

6.2.1.5 Behaviour of penetration-resistant inserts

6.2.1.5.1 Corrosion resistance of penetration-resistant metallic inserts

When all-rubber footwear is tested in accordance with ISO 20344:2011, 5.6.3, the penetration-resistant metallic insert shall exhibit no more than five areas of corrosion, none of which shall exceed 2,5 mm². When penetration-resistant metallic inserts to be used in all other types of footwear are tested in accordance with the method described in ISO 20344:2011, 5.6.1, they shall exhibit no more than five areas of corrosion, none of which shall exceed 2,5 mm².

6.2.1.5.2 Penetration-resistant non-metallic inserts

Penetration-resistant non-metallic inserts shall comply with the requirements of EN 12568:2010, 6.4, when placed under maximum force after being subjected to the treatments described in EN 12568:2010, 7.4.

6.2.2 Electrical properties

6.2.2.1 Conductive footwear

When measured in accordance with ISO 20344:2011, 5.10, after conditioning in a dry atmosphere (see ISO 20344:2011, 5.10.3.3), the electrical resistance shall be not greater than 100 k Ω .

6.2.2.2 Antistatic footwear

When measured in accordance with ISO 20344:2011, 5.10, after conditioning:

- in a dry atmosphere, the electrical resistance shall be above 100 k Ω and less than or equal to 1 000 M Ω ;
- in a wet atmosphere, the electrical resistance shall be above 100 k Ω and less than or equal to 1 000 M Ω .

NOTE See ISO 20344:2011, 5.10.3.3 for determination of dry and wet atmospheres.

6.2.2.3 Electrically insulating footwear

Electrically insulating footwear shall fulfil the requirements given in EN 50321.

6.2.3 Resistance to inimical environments

6.2.3.1 Heat insulation of sole complex

When footwear is tested in accordance with ISO 20344:2011, 5.12, with the temperature of the hotplate, T_{hp} , at 150 °C, the temperature increases (final temperature, T_f , minus initial temperature, T_i) on the upper surface of the insole after 30 min shall be not greater than 22 °C.

After testing, the footwear shall conform to the requirements given in ISO 20344:2011, Annex B.

Except for the insock, the insulation shall be incorporated in the footwear in such a manner that it cannot be removed without damaging the footwear.

6.2.3.2 Cold insulation of sole complex

When footwear is tested in accordance with ISO 20344:2011, 5.13, the temperature decrease on the upper surface of the insole shall be not more than 10 °C.

Except for the insock, the insulation shall be incorporated in the footwear in such a manner that it cannot be removed without damaging the footwear.

6.2.4 Energy absorption of seat region

When footwear is tested in accordance with ISO 20344:2011, 5.14, the energy absorption of the seat region shall be not less than 20 J.

6.2.5 Water resistance

The total wetted area inside the footwear shall be not greater than 3 cm² when tested in accordance with either:

- ISO 20344:2011, 5.15.1, after 100 trough lengths, or
- ISO 20344:2011, 5.15.2, after 80 min.

6.2.6 Metatarsal protection

6.2.6.1 Construction

The metatarsal protective device shall be such that, under impact, the resulting forces are distributed over the sole, the toecap and as large a surface of the foot as possible.

The metatarsal protective device shall be attached to the footwear in such a manner that it cannot be removed without damaging the footwear.

The metatarsal protective device shall fit the shape of the footwear at the inner and outer side of the foot.

6.2.6.2 Impact resistance of metatarsal protective device

When tested in accordance with ISO 20344:2011, 5.16, the minimum clearance at the moment of impact shall be in accordance with Table 19.

Table 19 — Minimum clearance at impact

Size of footwear		Minimum clearance after impact mm
France	UK	
36 and below	Up to 31/2	37,0
37 and 38	4 to 5	38,0
39 and 40	5 1/2 to 6 1/2	39,0
41 and 42	7 to 8	40,0
43 and 44	8 1/2 to 10	40,5
45 and over	10 1/2 and above	41,0

6.2.7 Ankle protection

When tested in accordance with ISO 20344:2011, 5.17, the mean value of the test results shall not exceed 10 kN and no single value shall exceed 15 kN.

6.2.8 Cut resistance footwear

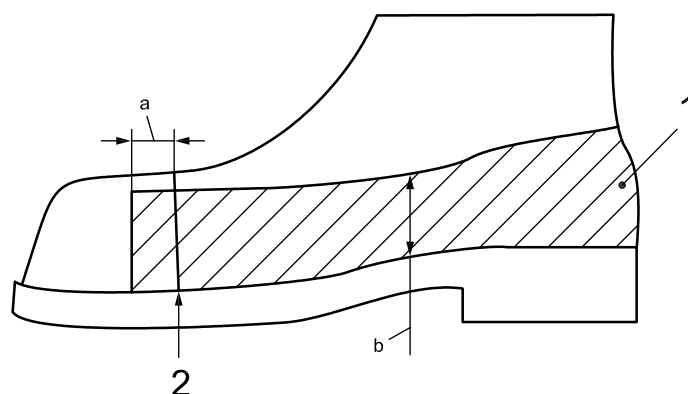
6.2.8.1 Design

Cut resistance footwear shall not be of design A (see Clause 4 and 5.2.1).

6.2.8.2 Construction

Cut resistance footwear shall have a protective area extending from the feather edge to at least 30 mm above it and from the toecap to the heel end of the footwear. It extends beyond the rear end of the toecap by at least 10 mm.

There shall be no gap between the toecap and the protective material. The protective material shall be permanently attached to the footwear. If different materials are used for protection against cutting, they shall either be attached to each other or overlap (see Figure 4).



Key

- 1 protective area
- 2 rear edge of toecap
- a Overlap of 10 mm over toecap.
- b Minimum height of 30 mm above the feather line.

Figure 4 — Coverage of protective area

6.2.8.3 Resistance to cutting

When tested in accordance with the method described in ISO 20344:2011, 6.14, the cut-resistant index (see EN 388) shall be not less than 2,5.

6.2.8.4 Penetration resistance

Cut-resistant footwear shall also comply with the requirements of 6.2.1.

6.3 Upper — Water penetration and absorption

When tested in accordance with ISO 20344:2011, 6.13, the water penetration (expressed as the mass increase of the absorbent cloth after 60 min) shall not be higher than 0,2 g and the water absorption shall not be higher than 30 %.

Non-functional and decorative stitching and perforations shall not be used on footwear on which water resistance of the upper is claimed, unless they fulfil the above requirements.

When the requirement given in 6.2.5 has been met, non-functional and decorative stitching and perforations are acceptable.

6.4 Outsole

6.4.1 Resistance to hot contact

When tested in accordance with ISO 20344:2011, 8.7, rubber and polymeric outsoles shall not melt and shall not develop any cracks when bent around the mandrel.

6.4.2 Resistance to fuel oil

When tested in accordance with ISO 20344:2011, 8.6.1, the increase in volume shall be not greater than 12 %.

If, after testing in accordance with ISO 20344:2011, 8.6.1, the test piece shrinks by more than 1 % in volume or increases in hardness by more than 10 Shore A hardness units, a further test piece shall be taken and tested in accordance with the method described in ISO 20344:2011, 8.6.2. The cut growth shall be not greater than 6 mm before 150 000 flex cycles.

7 Marking

Each item of safety footwear shall be clearly and permanently marked, e.g. by embossing or branding, with the following:

- a) size;
- b) manufacturer's identification mark;
- c) manufacturer's type designation;
- d) year and at least quarter of manufacture;
- e) reference to this International Standard, i.e. ISO 20345:2011;
- f) symbol(s) from Table 2 and Table 18 appropriate to the protection provided and/or, where applicable, the appropriate category (SB, S1 to S5), as described in Tables 20 and 21.

NOTE The markings for e) and f) should be adjacent to one another.

Table 20 — Marking categories of safety footwear

Category	Basic requirements (Table 2 and Table 3)	Additional requirements
SB	I or II	
S1	I	Closed seat region Antistatic properties Energy absorption of seat region Resistance to fuel oil
S2	I	As S1, plus: Water penetration and absorption
S3	I	As S2, plus: Penetration resistance Cleated outsole
S4	II	Closed seat region Antistatic properties Energy absorption of seat region Resistance to fuel oil
S5	II	As S4, plus: Penetration resistance Cleated outsole

NOTE For ease of marking, this table categorizes safety footwear with the most widely used combinations of basic and additional requirements.

Table 21 — Marking categories of safety hybrid footwear

Category	Basic requirements	Additional requirements
SBH	Hybrid footwear	

For any additional marking on the footwear related to safety, the manufacturer shall provide evidence to support the claim and an explanation in the user notice. For example, if "acid resistant" marking appears, the sole shall be at least tested according to EN 13832-1 (degradation) and shall meet the requirements of EN 13832-3:2006, 6.2.2.3.

8 Information to be supplied

8.1 General

Safety footwear shall be supplied to the customer with information written at least in the official language(s) of the country of destination. All information shall be unambiguous and shall include the following.

- a) Name and full address of the manufacturer and/or his authorized representative.
- b) Notified body involved in type examination; for category III products, the notified body involved with Article 11 of EU Directive 89/686/EEC.

- c) Reference to this International Standard, i.e. ISO 20345:2011.
- d) Explanation of any pictograms, markings and levels of performance.
- e) Basic explanation of the tests that have been applied to the footwear, if applicable.
- f) Instructions for use:
 - 1) tests to be carried out by the wearer before use, if required;
 - 2) fitting and how to put on and take off the footwear, if relevant;
 - 3) application (basic information on possible uses and, where detailed information is given, the source);
 - 4) limitations of use (e.g. temperature range);
 - 5) instructions for storage and maintenance, with maximum periods between maintenance checks (if important, drying procedures to be defined);
 - 6) instructions for cleaning and/or decontamination;
 - 7) obsolescence deadline or period of obsolescence;
 - 8) if appropriate, warnings against problems likely to be encountered (modifications can invalidate the type approval, e.g. orthopaedic footwear);
 - 9) if helpful, additional illustrations, part numbers, etc.
- g) Reference to accessories and spare parts, if relevant.
- h) Type of packaging suitable for transport, if relevant.

8.2 Electrical properties

8.2.1 Conductive footwear

Each pair of conductive footwear shall be supplied with a leaflet containing the following wording.

“Electrically conductive footwear should be used if it is necessary to minimize electrostatic charges in the shortest possible time, e.g. when handling explosives. **Electrically conductive footwear should not be used if the risk of shock from any electrical apparatus or live parts has not been completely eliminated.** In order to ensure that this footwear is conductive, it has been specified to have an upper limit of resistance of 100 k Ω in its new state.

During service, the electrical resistance of footwear made from conducting material can change significantly due to flexing and contamination, and it is necessary to ensure that the product is capable of fulfilling its designed function of dissipating electrostatic charges during its entire life. Where necessary, it is therefore recommended that the user establish an in-house test for electrical resistance and use it at regular intervals. This test and those mentioned below should be a routine part of the accident prevention programme at the workplace.

If the footwear is worn in conditions where the soling material becomes contaminated with substances that can increase the electrical resistance of the footwear, wearers should always check the electrical properties of their footwear before entering a hazard area.

Where conductive footwear is in use, the resistance of the flooring should be such that it does not invalidate the protection provided by the footwear.

In use, no insulating elements should be introduced between the inner sole of the footwear and the foot of the wearer. If an insert is put between the inner sole and the foot, the combination footwear/insert should be checked for its electrical properties.”

8.2.2 Antistatic footwear

Each pair of antistatic footwear shall be supplied with a leaflet containing the following wording.

“Antistatic footwear should be used if it is necessary to minimize electrostatic build-up by dissipating electrostatic charges, thus avoiding the risk of spark ignition of, for example, flammable substances and vapours, and if the risk of electric shock from any electrical apparatus or live parts has not been completely eliminated. **It should be noted, however, that antistatic footwear cannot guarantee adequate protection against electric shock as it only introduces a resistance between foot and floor.** If the risk of electric shock has not been completely eliminated, additional measures to avoid this risk are essential. Such measures, as well as the additional tests mentioned below, should be a routine part of the accident prevention programme at the workplace.

Experience has shown that, for antistatic purposes, the discharge path through a product should normally have an electrical resistance of less than 1 000 M Ω at any time throughout its useful life. A value of 100 k Ω is specified as the lowest resistance limit of a product, when new, in order to ensure some limited protection against dangerous electric shock or ignition in the event of any electrical apparatus becoming defective when operating at voltages of up to 250 V. However, under certain conditions, users should be aware that the footwear might give inadequate protection and additional provisions to protect the wearer should be taken at all times.

The electrical resistance of this type of footwear can be changed significantly by flexing, contamination or moisture. This footwear might not perform its intended function if worn in wet conditions. It is, therefore, necessary to ensure that the product is capable of fulfilling its designed function of dissipating electrostatic charges and also of giving some protection during its entire life. It is recommended that the user establish an in-house test for electrical resistance, which is carried out at regular and frequent intervals.

Class I footwear can absorb moisture and can become conductive if worn for prolonged periods in moist and wet conditions.

If the footwear is worn in conditions where the soling material becomes contaminated, wearers should always check the electrical properties of the footwear before entering a hazard area.

Where antistatic footwear is in use, the resistance of the flooring should be such that it does not invalidate the protection provided by the footwear.

In use, no insulating elements should be introduced between the inner sole of the footwear and the foot of the wearer. If any insert is put between the inner sole and the foot, the combination footwear/insert should be checked for its electrical properties.”

8.3 Insocks

If the footwear is supplied with a removable insock, it should be made clear in the leaflet that testing was carried out with the insock in place. A warning shall be given that the footwear shall only be used with the insock in place and that the insock shall only be replaced by a comparable insock supplied by the original footwear manufacturer.

If the footwear is supplied without an insock, it should be made clear in the leaflet that testing was carried out with no insock present. A warning shall be given that fitting an insock can affect the protective properties of the footwear.

Annex A (normative)

Hybrid footwear

A.1 General

The hybrid footwear shall fulfil the following requirements.

A.2 Height

The measurement, H , between the lowest point of the top of the visible polymer (or rubber) part and the ground (see Figure A.1) shall have a minimum height corresponding to the values given in Table 10 for design B.

A.3 Area A

Area A, the lower part of the footwear, shall fulfil the requirements of class II footwear (see Table 2), except for leakproofness (see 5.3.3). If present, the insole and/or insock shall fulfil the requirements given in Table 3.

A.4 Area B

In Area B, the material which extends the upper, shall fulfil the requirements of 5.4.3, 5.4.4, 5.4.6, 5.4.7 and 5.4.9.

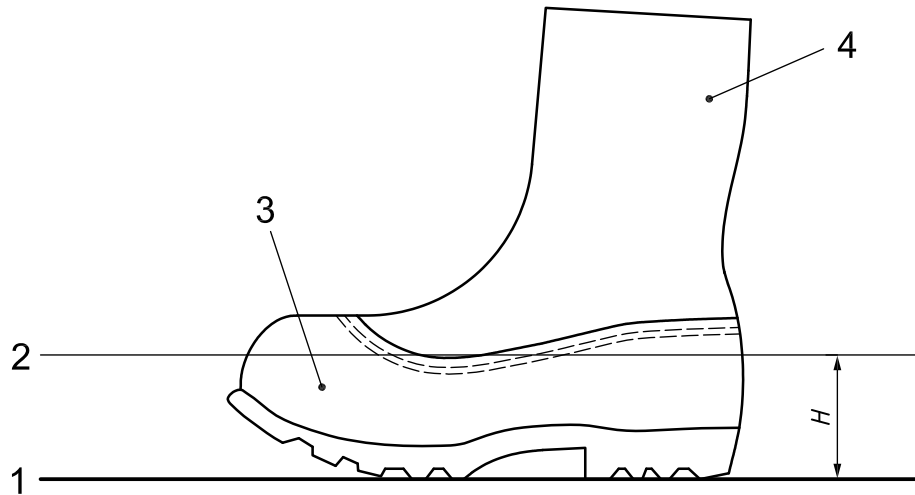
The lining shall fulfil the requirements of 5.5

A.5 Water resistance

The footwear shall fulfil the requirements given in 6.2.5.

If the method used is ISO 20344:2011, 5.15.1, the depth of water defined in ISO 20344:2011, 5.15.1.4 shall be greater than or equal to H , in millimetres.

If the method used is ISO 20344:2011, 5.15.2, the depth of water defined in ISO 20344:2011, 5.15.2.4.7 shall be greater than or equal to H , in millimetres.



Key

- 1 ground
- 2 lowest point of the top of the visible polymer (or rubber) part
- 3 area A
- 4 area B
- H* depth of water

Figure A.1 — Design of hybrid footwear

Bibliography

- [1] ISO 19952, *Footwear — Vocabulary*
- [2] ISO/TR 16178:2010, *Footwear — Critical substances potentially present in footwear and footwear components*
- [3] EN 388:2003, *Protective gloves against mechanical risks*
- [4] EN 13832-1, *Footwear protecting against chemicals — Part 1: Terminology and test methods*
- [5] EN 13832-3:2006, *Footwear protecting against chemicals — Part 3: Requirements for footwear highly resistant to chemicals under laboratory conditions*

British Standards Institution (BSI)

BSI is the independent national body responsible for preparing British Standards and other standards-related publications, information and services.

It presents the UK view on standards in Europe and at the international level.

It is incorporated by Royal Charter.

Revisions

British Standards are updated by amendment or revision. Users of British Standards should make sure that they possess the latest amendments or editions.

It is the constant aim of BSI to improve the quality of our products and services. We would be grateful if anyone finding an inaccuracy or ambiguity while using this British Standard would inform the Secretary of the technical committee responsible, the identity of which can be found on the inside front cover.

Tel: +44 (0)20 8996 9001 Fax: +44 (0)20 8996 7001

BSI offers Members an individual updating service called PLUS which ensures that subscribers automatically receive the latest editions of standards.

Tel: +44 (0)20 8996 7669 Fax: +44 (0)20 8996 7001

Email: plus@bsigroup.com

Buying standards

You may buy PDF and hard copy versions of standards directly using a credit card from the BSI Shop on the website www.bsigroup.com/shop. In addition all orders for BSI, international and foreign standards publications can be addressed to BSI Customer Services.

Tel: +44 (0)20 8996 9001 Fax: +44 (0)20 8996 7001

Email: orders@bsigroup.com

In response to orders for international standards, it is BSI policy to supply the BSI implementation of those that have been published as British Standards, unless otherwise requested.

Information on standards

BSI provides a wide range of information on national, European and international standards through its Knowledge Centre.

Tel: +44 (0)20 8996 7004 Fax: +44 (0)20 8996 7005

Email: knowledgecentre@bsigroup.com

Various BSI electronic information services are also available which give details on all its products and services.

Tel: +44 (0)20 8996 7111 Fax: +44 (0)20 8996 7048

Email: info@bsigroup.com

BSI Subscribing Members are kept up to date with standards developments and receive substantial discounts on the purchase price of standards. For details of these and other benefits contact Membership Administration.

Tel: +44 (0)20 8996 7002 Fax: +44 (0)20 8996 7001

Email: membership@bsigroup.com

Information regarding online access to British Standards via British Standards Online can be found at www.bsigroup.com/BSOL

Further information about BSI is available on the BSI website at www.bsigroup.com/standards

Copyright

Copyright subsists in all BSI publications. BSI also holds the copyright, in the UK, of the publications of the international standardization bodies. Except as permitted under the Copyright, Designs and Patents Act 1988 no extract may be reproduced, stored in a retrieval system or transmitted in any form or by any means – electronic, photocopying, recording or otherwise – without prior written permission from BSI. This does not preclude the free use, in the course of implementing the standard of necessary details such as symbols, and size, type or grade designations. If these details are to be used for any other purpose than implementation then the prior written permission of BSI must be obtained. Details and advice can be obtained from the Copyright & Licensing Manager.

Tel: +44 (0)20 8996 7070

Email: copyright@bsigroup.com

BSI Group Headquarters

389 Chiswick High Road London W4 4AL UK

Tel +44 (0)20 8996 9001

Fax +44 (0)20 8996 7001

www.bsigroup.com/standards